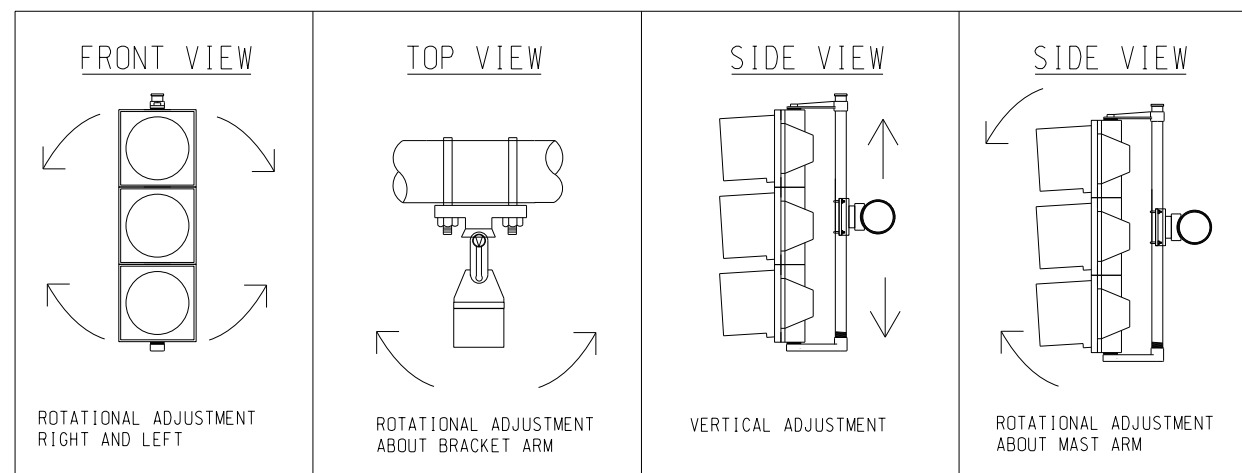


TYPICAL SIGNAL DISPLAYS



SIGNAL HEAD BRACKET ADJUSTMENT

NOT TO SCALE

File: RefDoc/TR/Signals/Web/Sp Det/Fin/SIG301A.dgn Rev. 02/16/17



PREPARED BY
TRAFFIC AND SAFETY

DRAWN BY: JEV

CHECKED BY:

ENGINEER OF DELIVERY

ENGINEER OF DEVELOPMENT

(SPECIAL DETAIL)
FHWA APPROVAL DATE

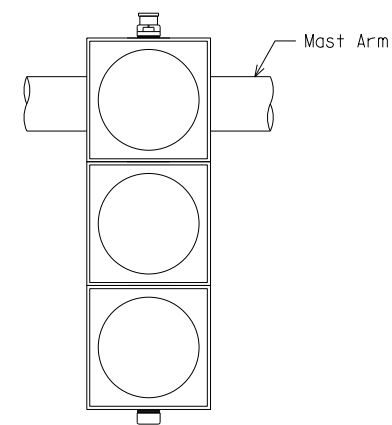
MICHIGAN DEPARTMENT OF TRANSPORTATION
BUREAU OF HIGHWAYS DELIVERY STANDARD PLAN FOR

MAST ARM MOUNTED
T.S. BRACKET ASSEMBLY

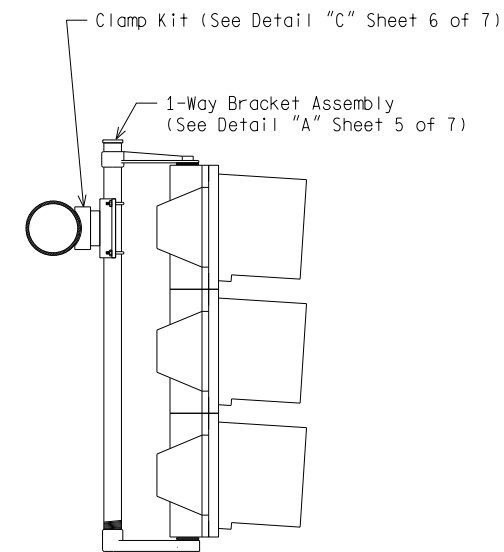
PLAN DATE

SIG-301-A

SHEET
1 of 7

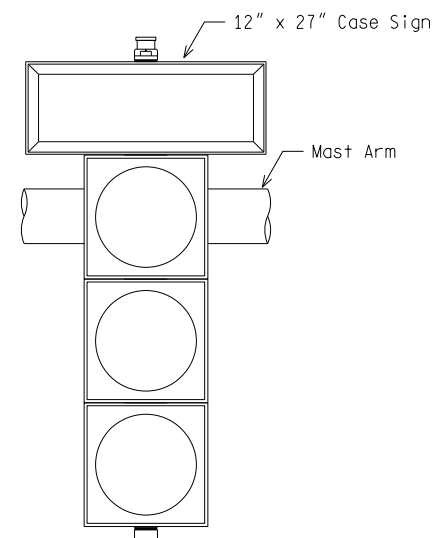


FRONT VIEW

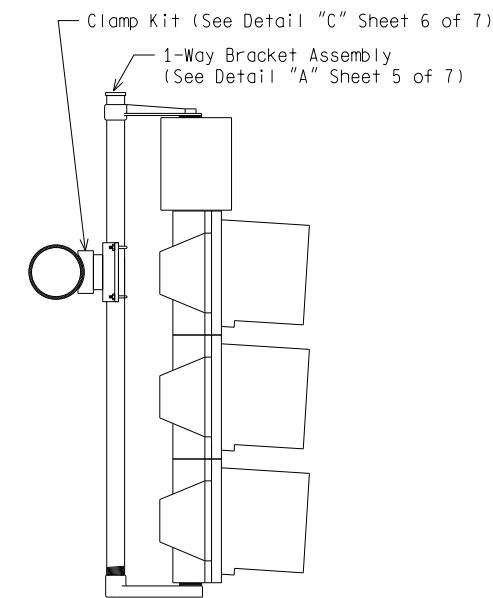


SIDE VIEW

1W-3C



FRONT VIEW



SIDE VIEW

1W-3C With 12" x 27" Case Sign

NOT TO SCALE

MICHIGAN DEPARTMENT OF TRANSPORTATION
BUREAU OF HIGHWAYS DELIVERY STANDARD PLAN (SPECIAL DETAIL)
FHWA APPROVAL DATE

File: RefDoc/TR/Signals/Web/Sp Det/Fin/SIG301A.dgn Rev. 02/16/17

PLAN DATE

SIG-301-A

SHEET
2 of 7

AS-LET PLAN REVISIONS

NO.	DATE	AUTH	DESCRIPTION	NO.	DATE	AUTH	DESCRIPTION

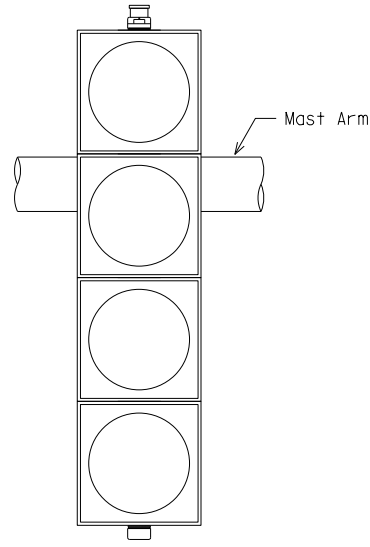


FILE:

DATE:
DESIGN UNIT:
TSC:

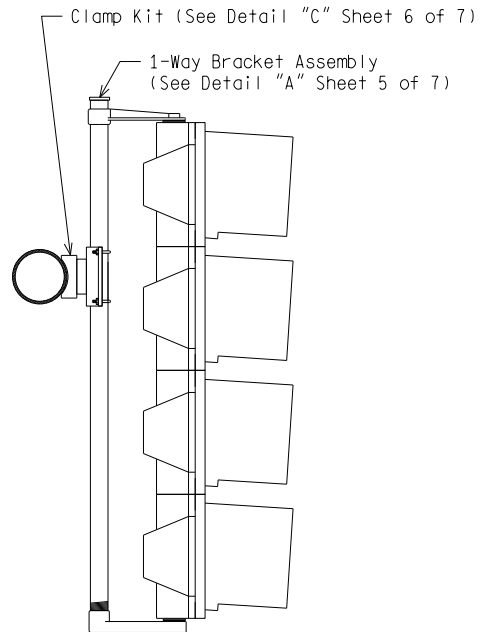
CS:
JN:

DRAWING SHEET

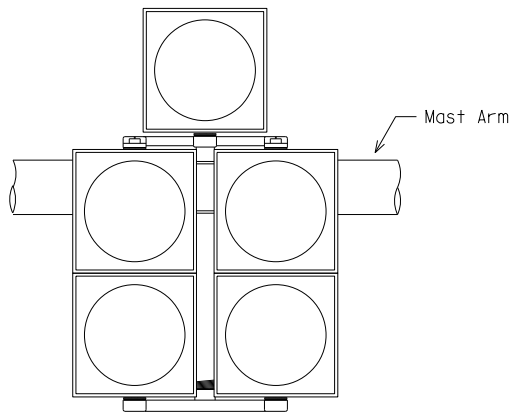


FRONT VIEW

1W-4C (FYA)

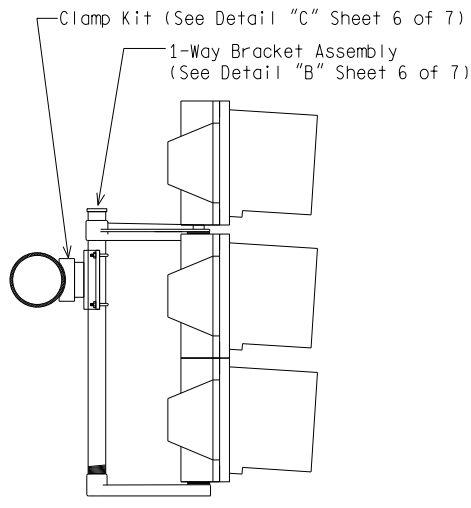


SIDE VIEW



FRONT VIEW

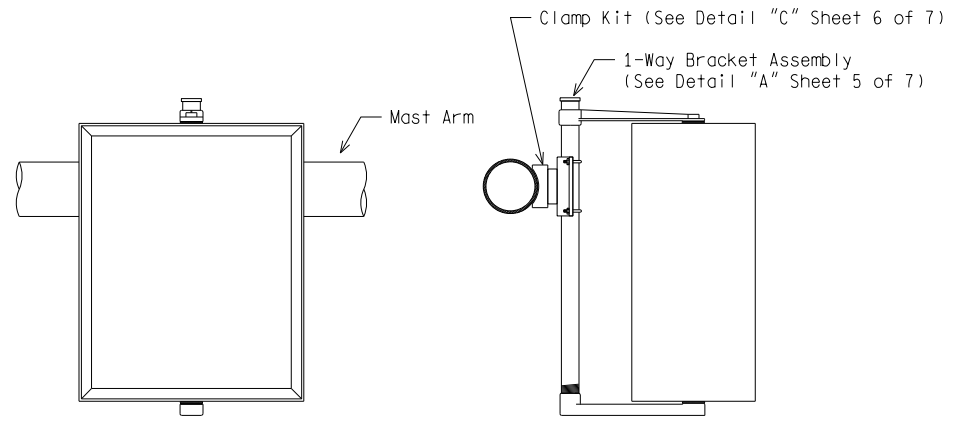
1W-5C (Doghouse)



SIDE VIEW

NOT TO SCALE

MICHIGAN DEPARTMENT OF TRANSPORTATION BUREAU OF HIGHWAYS DELIVERY STANDARD PLAN	(SPECIAL DETAIL) FHWA APPROVAL DATE	PLAN DATE	SIG-301-A	SHEET 3 of 7
File: RefDoc/TR/Signals/Web/Sp Det/Fin/SIG301A.dgn Rev. 02/16/17				



FRONT VIEW

SIDE VIEW

1W-Case Sign (24" x 30" Shown)

NOT TO SCALE

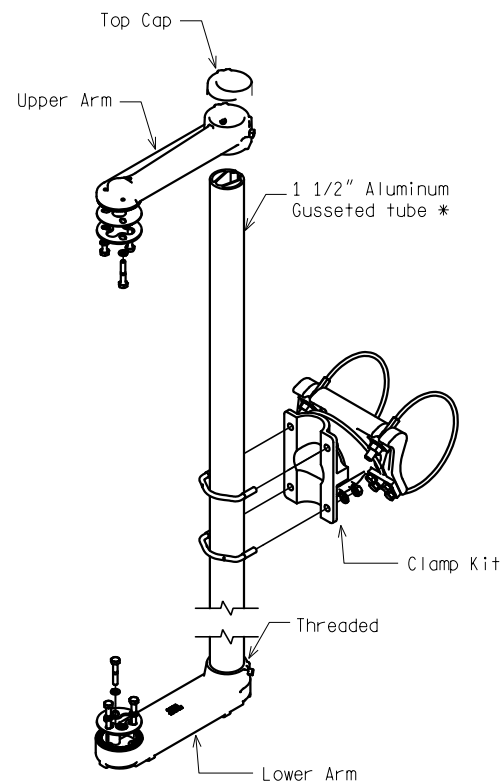
MICHIGAN DEPARTMENT OF TRANSPORTATION BUREAU OF HIGHWAYS DELIVERY STANDARD PLAN	(SPECIAL DETAIL) FHWA APPROVAL DATE	PLAN DATE	SIG-301-A	SHEET 4 of 7
File: RefDoc/TR/Signals/Web/Sp Det/Fin/SIG301A.dgn Rev. 02/16/17				

AS-LET PLAN REVISIONS

NO.	DATE	AUTH	DESCRIPTION	NO.	DATE	AUTH	DESCRIPTION

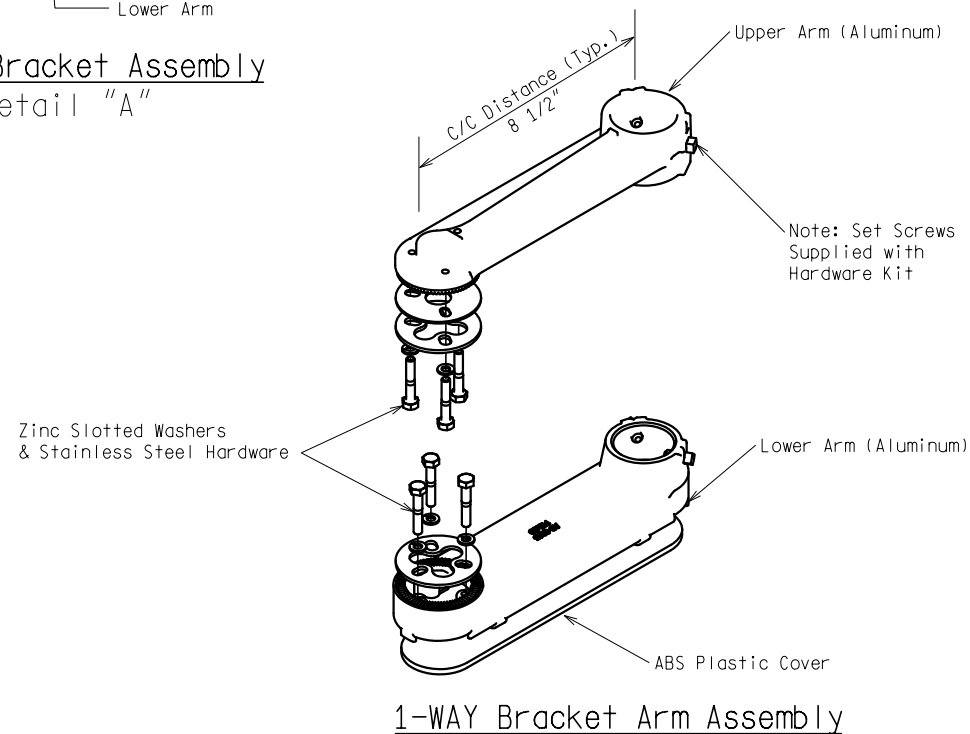


DATE:	CS:	DRAWING	SHEET
DESIGN UNIT:	JN:		
TSC:			
FILE:			



* Note: Use 46" tube for 3 section T.S.
Use 58" tube for 4 section T.S.

1-WAY Bracket Assembly
Detail "A"



1-WAY Bracket Arm Assembly

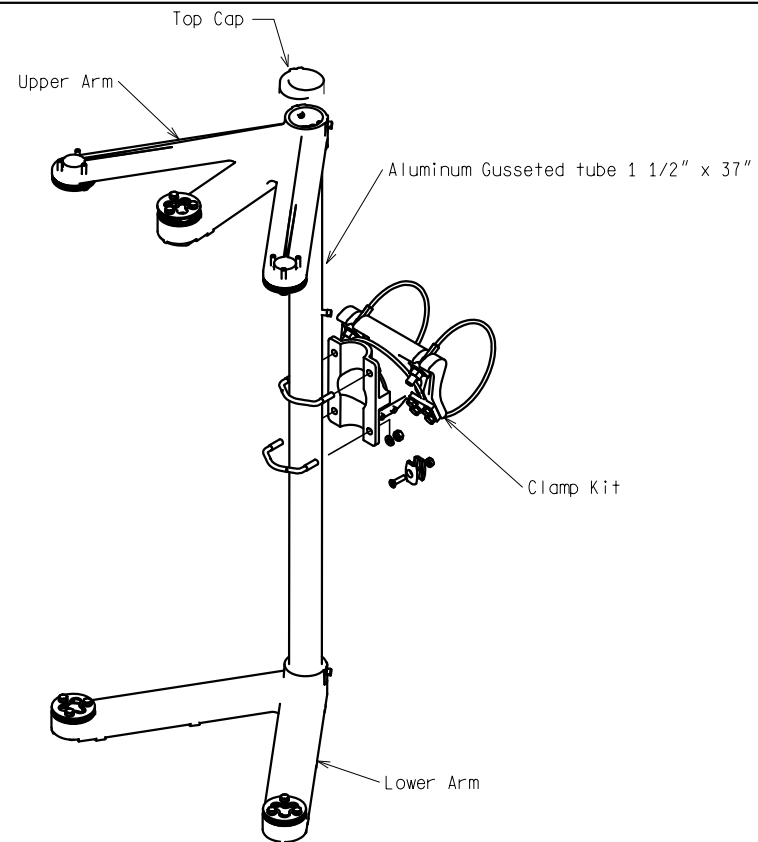
NOT TO SCALE

MICHIGAN DEPARTMENT OF TRANSPORTATION
BUREAU OF HIGHWAYS DELIVERY STANDARD PLAN (SPECIAL DETAIL)
FHWA APPROVAL DATE

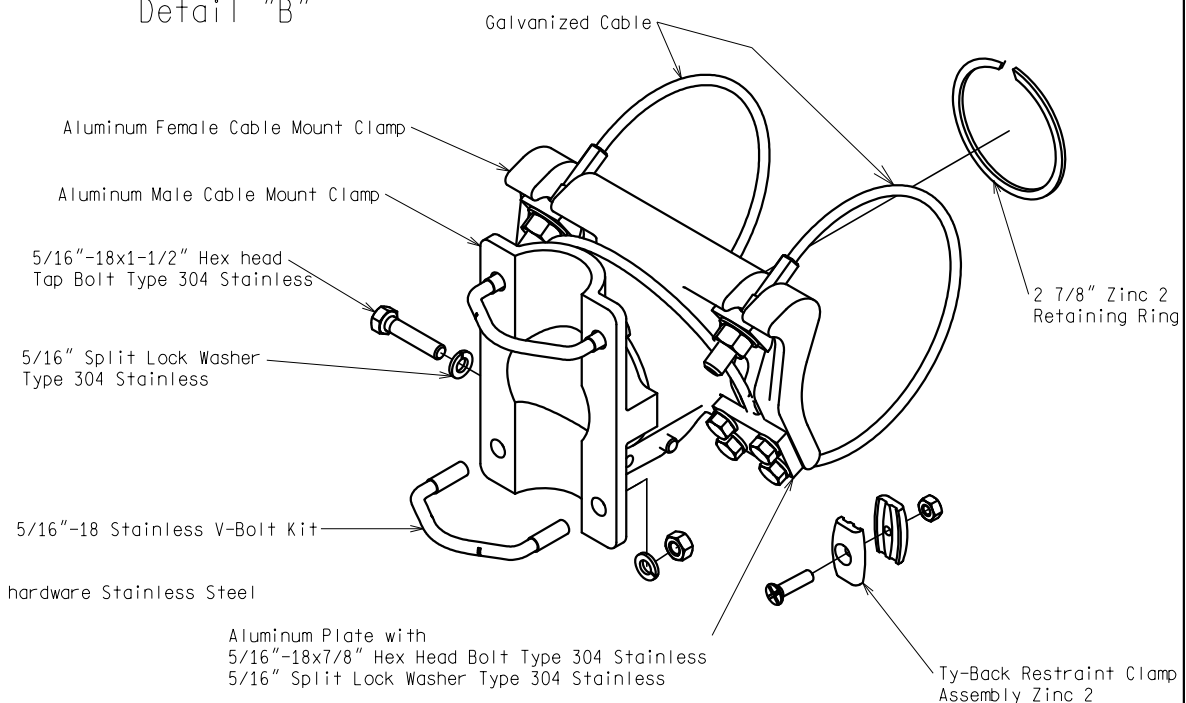
PLAN DATE

SIG-301-A

SHEET
5 of 7



1-WAY 5-Section Cluster Bracket Assembly
Detail "B"



Aluminum Clamp With Galvanized Cable
Detail "C"

NOT TO SCALE

MICHIGAN DEPARTMENT OF TRANSPORTATION
BUREAU OF HIGHWAYS DELIVERY STANDARD PLAN (SPECIAL DETAIL)
FHWA APPROVAL DATE

PLAN DATE

SIG-301-A

SHEET
6 of 7

AS-LET PLAN REVISIONS

NO.	DATE	AUTH	DESCRIPTION	NO.	DATE	AUTH	DESCRIPTION

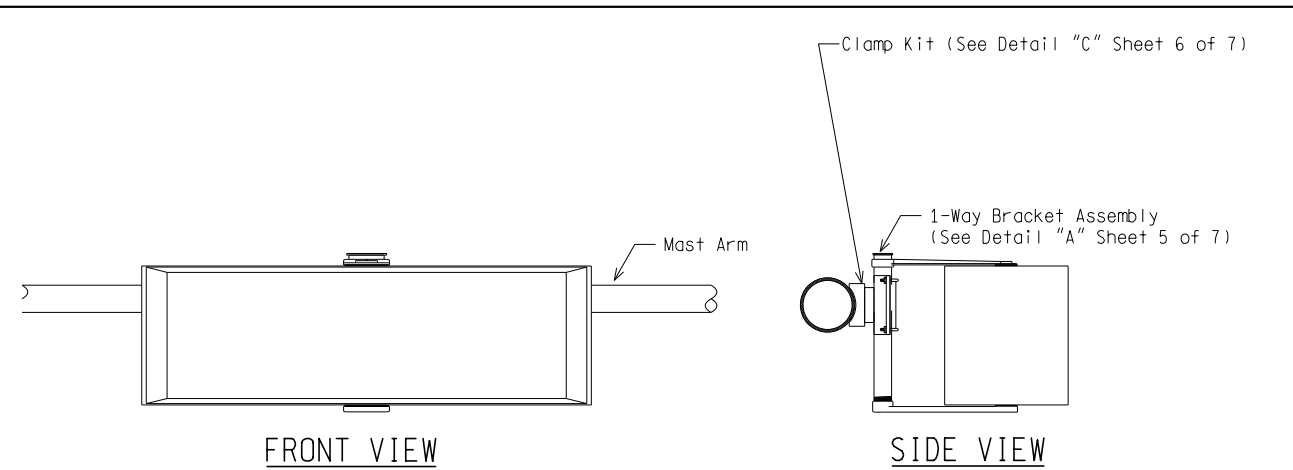


FILE:

DATE:
DESIGN UNIT:
TSC:

CS:
JN:

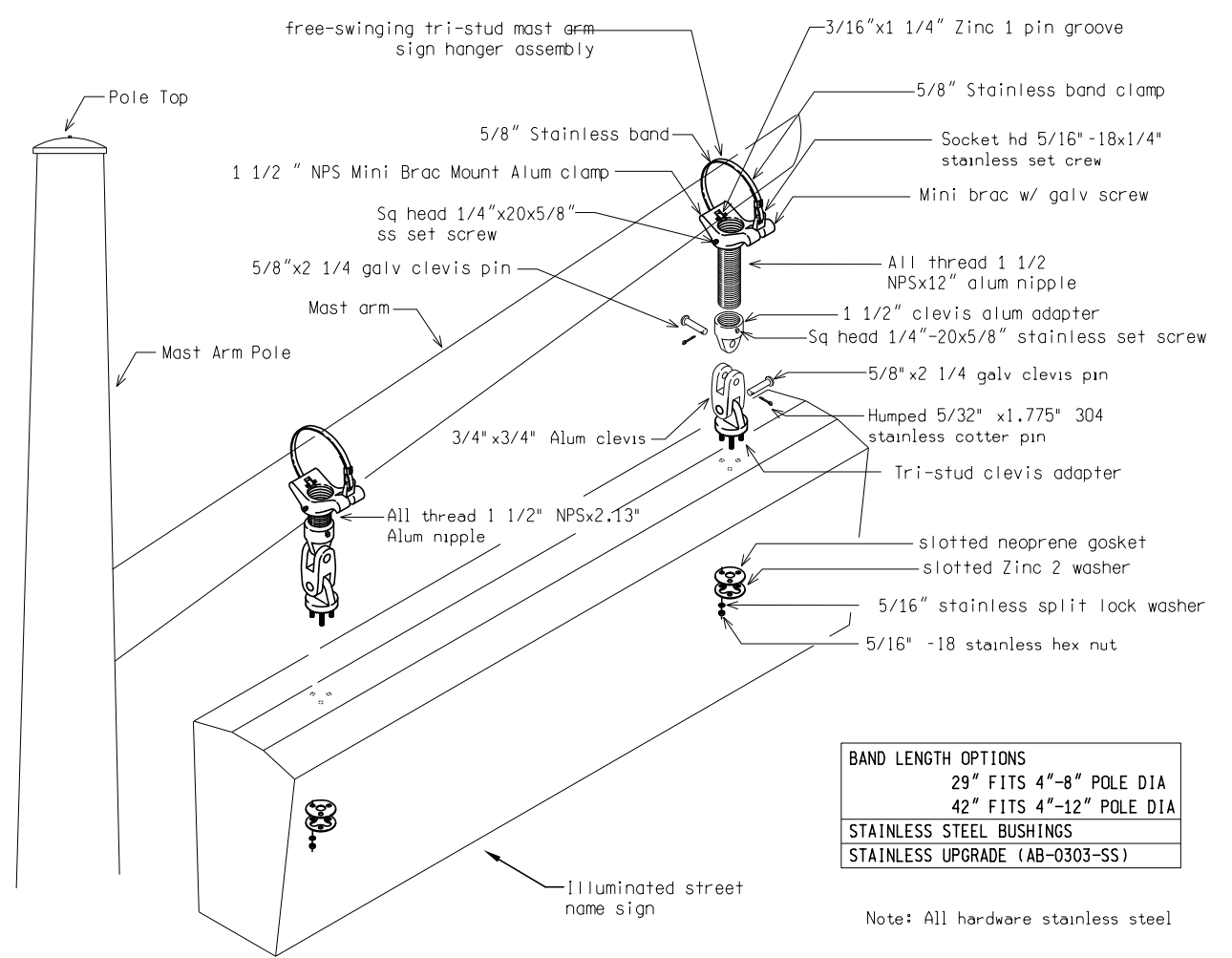
DRAWING SHEET



FRONT VIEW

SIDE VIEW

1W-Illuminated Street Name Sign



BAND LENGTH OPTIONS	
29"	FITS 4"-8" POLE DIA
42"	FITS 4"-12" POLE DIA
STAINLESS STEEL BUSHINGS	
STAINLESS UPGRADE (AB-0303-SS)	

Note: All hardware stainless steel

2W-Illuminated Street Name Sign

NOT TO SCALE

MICHIGAN DEPARTMENT OF TRANSPORTATION BUREAU OF HIGHWAYS DELIVERY STANDARD PLAN	(SPECIAL DETAIL) FHWA APPROVAL DATE	PLAN DATE	SIG-301-A	SHEET 7 of 7
File: RefDoc/TR/Signals/Web/Sp Det/Fin/SIG301A.dgn Rev. 02/16/17				

AS-LET PLAN REVISIONS							
NO.	DATE	AUTH	DESCRIPTION	NO.	DATE	AUTH	DESCRIPTION



DATE:	CS:	DRAWING	SHEET
DESIGN UNIT:	JN:		
TSC:			
FILE:			